

Reflect Single Color

Single color with Phosfor technology

BB&S
LIGHTING PEOPLE

Made by Lighting People
for Lighting People



REFLECT SINGLE COLOR

BB&S - Reflect Single Color SPECIFICATION

BB&S Pipeline Reflect System

Due to the popularity of our color-accurate (3200°K or 5600°K) remote phosphor LED Pipeline lighting, the BB&S engineering team has devised a new system based on the 1" cylindrical linear Pipes. Reflect incorporates a new range of superior quality reflectors offering optimal control, and light dispersion spanning a 90° angle with practically no spill. Plus, the new Reflect System offers double the foot-candle output of the Pipes alone. And like all BB&S fixtures, the versatile Reflect features offer strobe capability, especially when used with the optional BB&S Single Color Controller. Now also available in the BB&S track lighting series with choice of DMX, Dali & Casambi drivers.

Perfect Color Rendering 1' to 4' long

The Reflect System utilizes the same 97 TLCI color-accurate rendering remote phosphor 1"/25mm diameter LED Pipes that Pipeline is known for. Available standard in lengths from 1' to 4', Reflect housings are made of rigid, extruded aluminum with a contoured base, 1.5" high sidewalls and a 2" wide opening. Smart engineering compresses the angle of illumination to double the Lux count over distance, compared to Pipes used alone.

Studio Hero

Reflect single color fixtures, are available in 1', 2', 3' and 4' lengths. It is ideal for studio grids, or anchor desks for a clean up light on talent and the perfect solution for today's demanding full or semi automated Walk Around Studios. Set designers will appreciate that the housings are black so your installation will look nice and clean.

POWER

- 10W / Foot

CONTROL

- DMX 512/ RDM with BB&S Controller
- 8/16 bit dimming from 0 to 100 %
- Manual operation with Pipeline manual dimmer for use with ac supply or D-tap from V-lock or Gold Mount.

WEIGHT & DIMENSIONS:

- 1 Foot - W: 317mm H: 50mm
Weight: 0,6 kg
- 2 Foot - W: 617mm H: 50mm
Weight: 1,1 kg
- 2 Foot 2 Bank - W: 617mm H: 100mm
Weight: 2,1 kg
- 3 Foot - W: 917mm H: 50mm
Weight: 1,6 kg
- 4 Foot - W: 1217mm H: 50mm
Weight: 2,0 kg
- 4 Foot 2 Bank - W: 1217mm H: 100
Weight: 4,0 kg

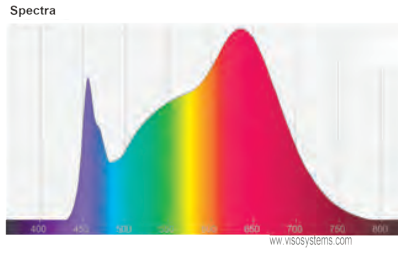
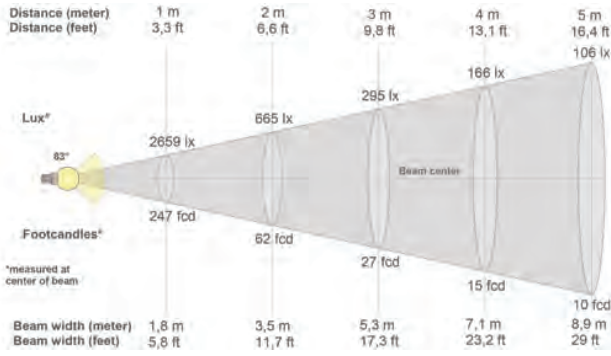
TEMPERATURE RANGE:

- Ambient operation from:
-20° to 40°C / -4° to 104° F

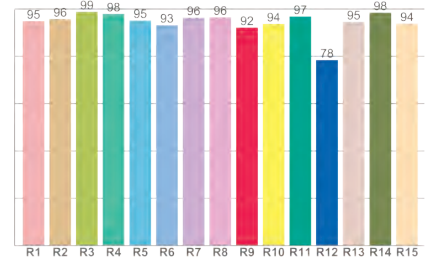
For more information
please visit our website on:
www.brothers-sons.dk
or scan the QR code



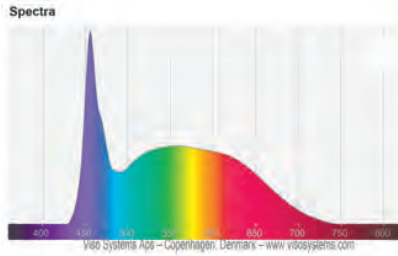
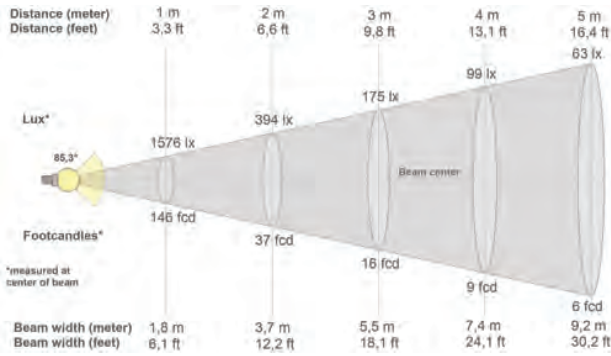
Reflect Single Color 2 Foot 2 Bank - 3200°K



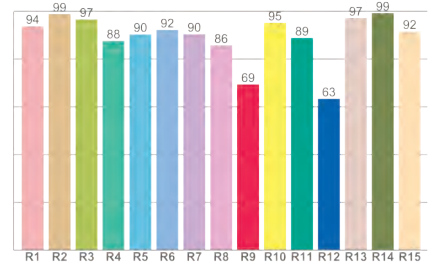
CRI: 96,1 (R1-R8)



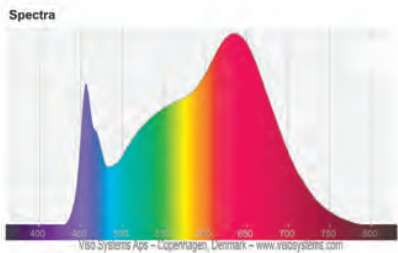
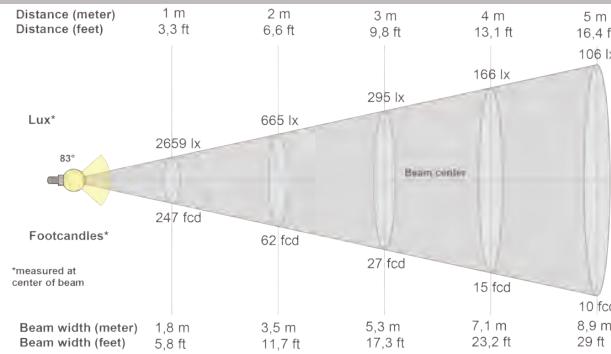
Reflect Single Color 2 Foot 2 Bank - 5600°K



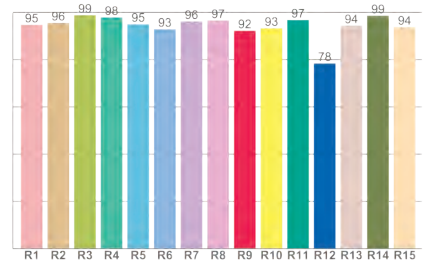
CRI: 91,9 (R1-R8)



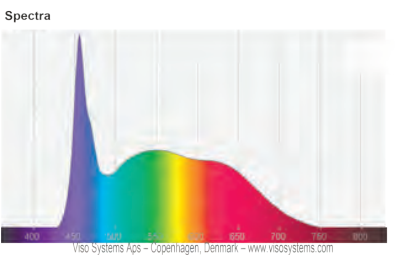
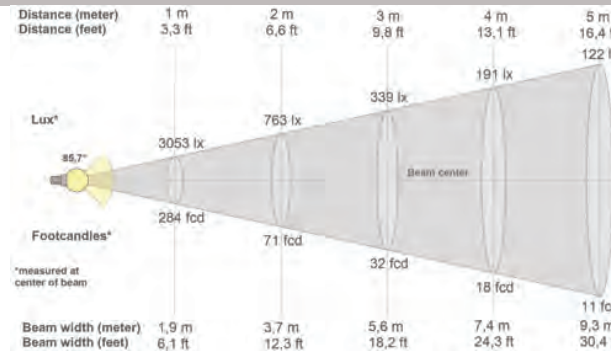
Reflect Single Color 4 Foot 2 Bank - 3200°K



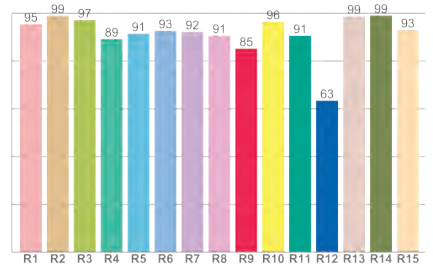
CRI: 96,0 (R1-R8)



Reflect Single Color 4 Foot 2 Bank - 5600°K



CRI: 93,5 (R1-R8)



More measurements

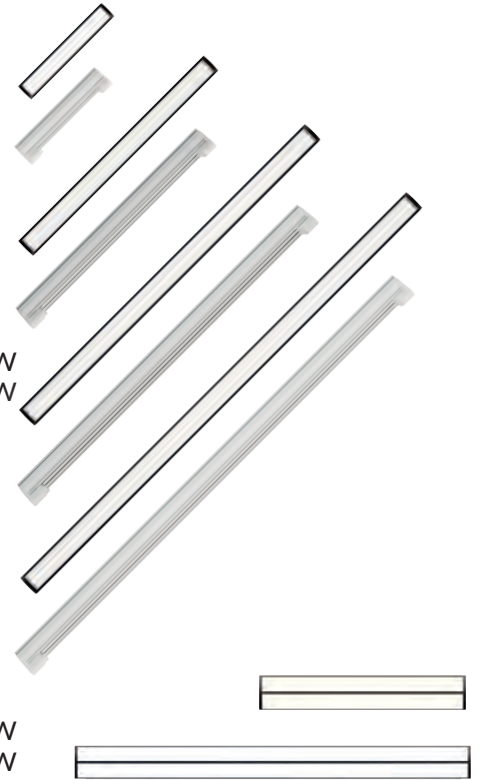
For more light measurements and full reports, please go to the download section on our website: www.brothers-sons.dk



Reflect Single Color - Ordering Information

BB&S Reflect Single Color

- 1 Foot, 3200°K (Black Housing), 3-pin XLR - BBS-3907
- 1 Foot, 5600°K (Black Housing), 3-pin XLR - BBS-3909
- 1 Foot, 3200°K (White Housing), 3-pin XLR - BBS-3907W
- 1 Foot, 5600°K (White Housing), 3-pin XLR - BBS-3909W
- 2 Foot, 3200°K (Black Housing), 3-pin XLR - BBS-3910
- 2 Foot, 5600°K (Black Housing), 3-pin XLR - BBS-3912
- 2 Foot, 3200°K (White Housing), 3-pin XLR - BBS-3910W
- 2 Foot, 5600°K (White Housing), 3-pin XLR - BBS-3912W
- 2 Foot 2 Bank, 3200°K (Black Housing), 3-pin XLR - BBS-3928
- 2 Foot 2 Bank, 5600°K (Black Housing), 3-pin XLR - BBS-3930
- 2 Foot 2 Bank, 3200°K (White Housing), 3-pin XLR - BBS-3928W
- 2 Foot 2 Bank, 5600°K (White Housing), 3-pin XLR - BBS-3930W
- 3 Foot, 3200°K (Black Housing), 3-pin XLR - BBS-3913
- 3 Foot, 5600°K (Black Housing), 3-pin XLR - BBS-3915
- 3 Foot, 3200°K (White Housing), 3-pin XLR - BBS-3913W
- 3 Foot, 5600°K (White Housing), 3-pin XLR - BBS-3915W
- 4 Foot, 3200°K (Black Housing), 3-pin XLR - BBS-3916
- 4 Foot, 5600°K (Black Housing), 3-pin XLR - BBS-39318
- 4 Foot, 3200°K (White Housing), 3-pin XLR - BBS-3916W
- 4 Foot, 5600°K (White Housing), 3-pin XLR - BBS-3918W
- 4 Foot 2 Bank, 3200°K (Black Housing), 4-pin XLR - BBS-3942
- 4 Foot 2 Bank, 5600°K (Black Housing), 4-pin XLR - BBS-3944
- 4 Foot 2 Bank, 3200°K (White Housing), 4-pin XLR - BBS-3942W
- 4 Foot 2 Bank, 5600°K (White Housing), 4-pin XLR - BBS-3944W



Power Options

- Single Color Controller - BBS-3693S
- Bi-Color Controller - BBS-3694S
- 2 meter Schuko male to Powercon True1 AC cable - BBS-9064
- 2 meter US male to Powercon True1 AC cable - BBS-9065
- 3 meter Powercon True1 Extension cable - BBS-9807
- 5 meter Powercon True1 Extension cable - BBS-9808

3-pin XLR Extension Cables for Single Color Reflect

- 2.5 meter 3 pin cable - BBS-3604
- 5.0 meter 3 pin cable - BBS-3605
- 7.5 meter 3 pin cable - BBS-3606

4-pin XLR Extension Cables for 2 Foot 4-Bank

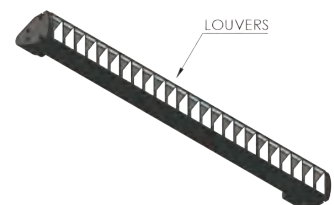
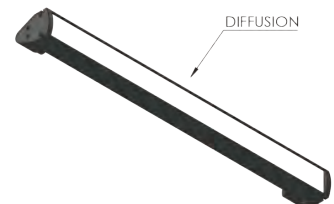
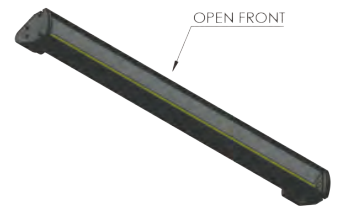
- 2.5 meter 4 pin cable - BBS-3848
- 5.0 meter 4 pin cable - BBS-3841
- 7.5 meter 4 pin cable - BBS-3846
- 10.0 meter 4 pin cable - BBS-3842

Mounting

- Mini yoke single. Incl. mounting - BBS-6420
- 2-Foot 2-Bank Yoke Mount Set - BBS-3840
- 4-Foot 2-Bank Yoke Mount Set - BBS-3841
- Reflect Slider - BBS-6413
- Safety wire 5 Kg 850 MM - BBS-3737
- Manfrotto 013 Spigot - BBS-2065
- Manfrotto 035 Super Clamp - BBS-2068

Accessory

- Reflect 1 Foot Barndoore mount set - BBS-6431
- Reflect 2 Foot Barndoore mount set - BBS-6432
- Reflect 4 Foot Barndoore mount set - BBS-6434
- Louvres - BBS-6061



Reflect Single Color - Accessories



Mini yoke single.
Incl. mounting - BBS-6420

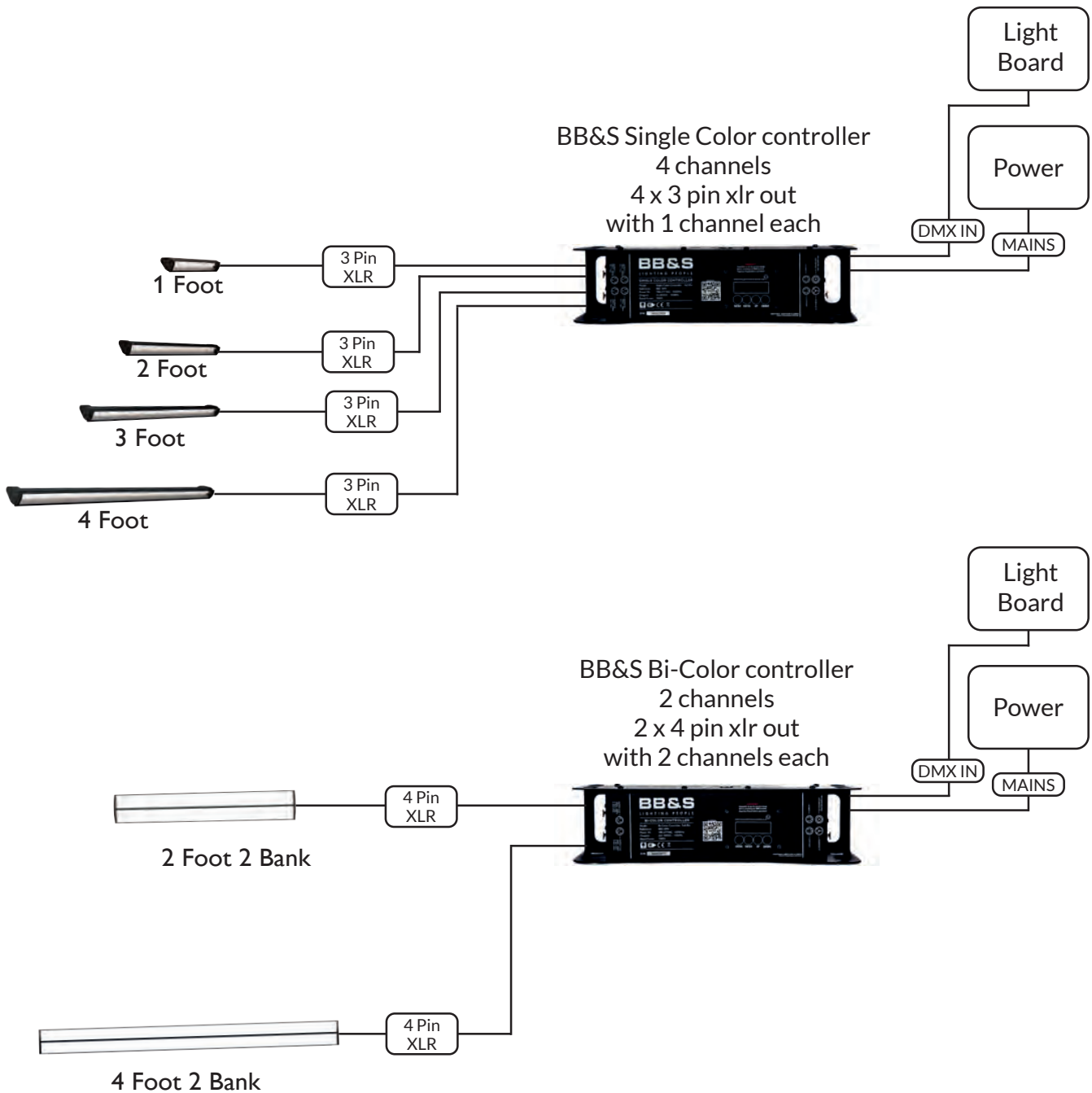


Reflect 2 Foot Barndoor
mount set - BBS-6432



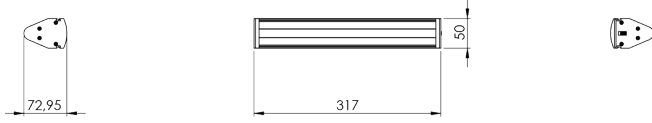
Reflect 4 Foot Barndoor
mount set - BBS-6434

Reflect Single Color - Power setup

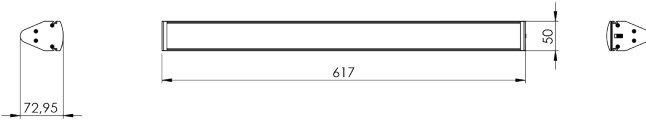


Reflect Single Color - Drawings

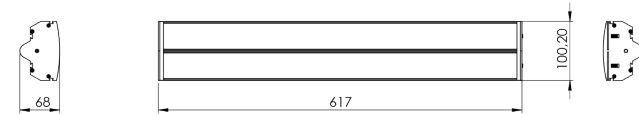
1 Foot 1 Bank



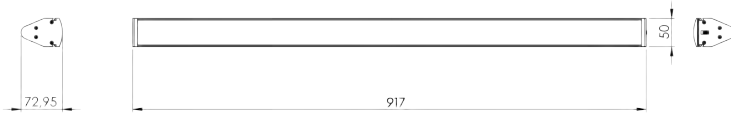
2 Foot 1 Bank



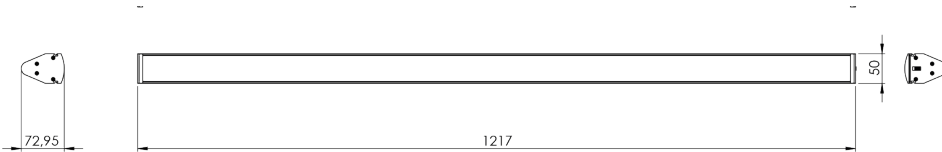
2 Foot 2 Bank



3 Foot 1 Bank



4 Foot 1 Bank



4 Foot 2 Bank

